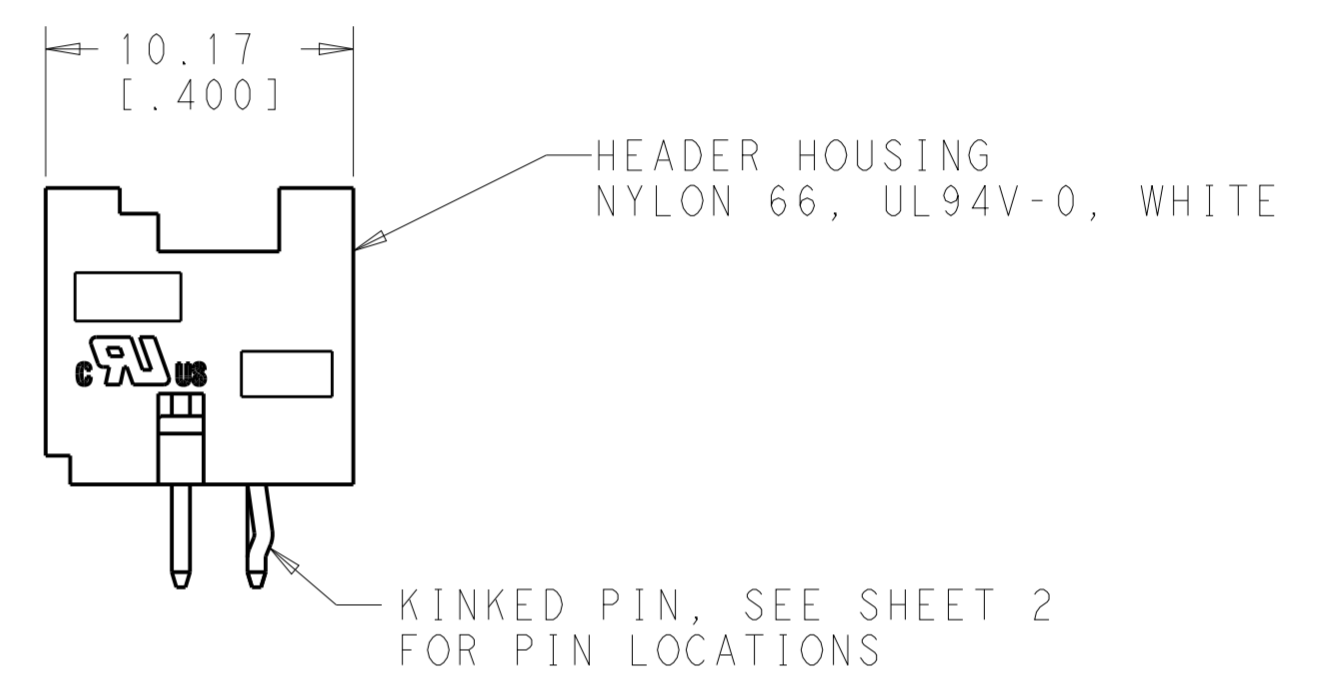
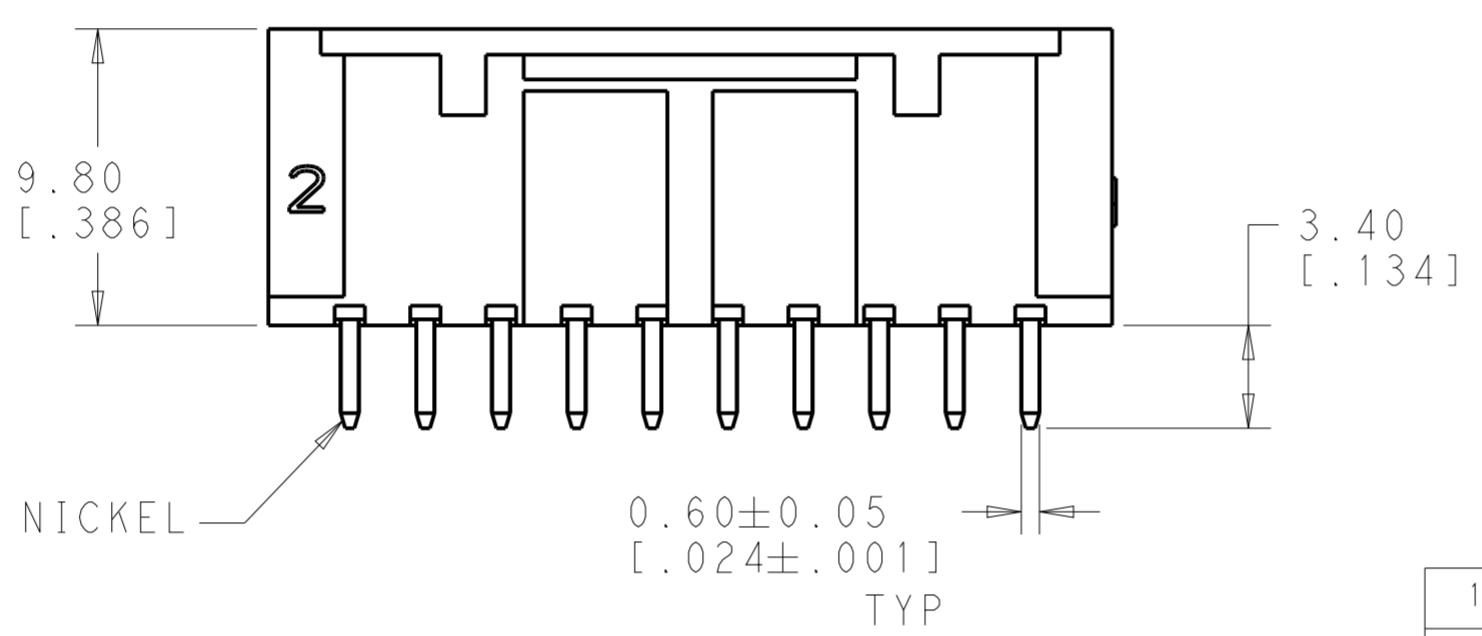
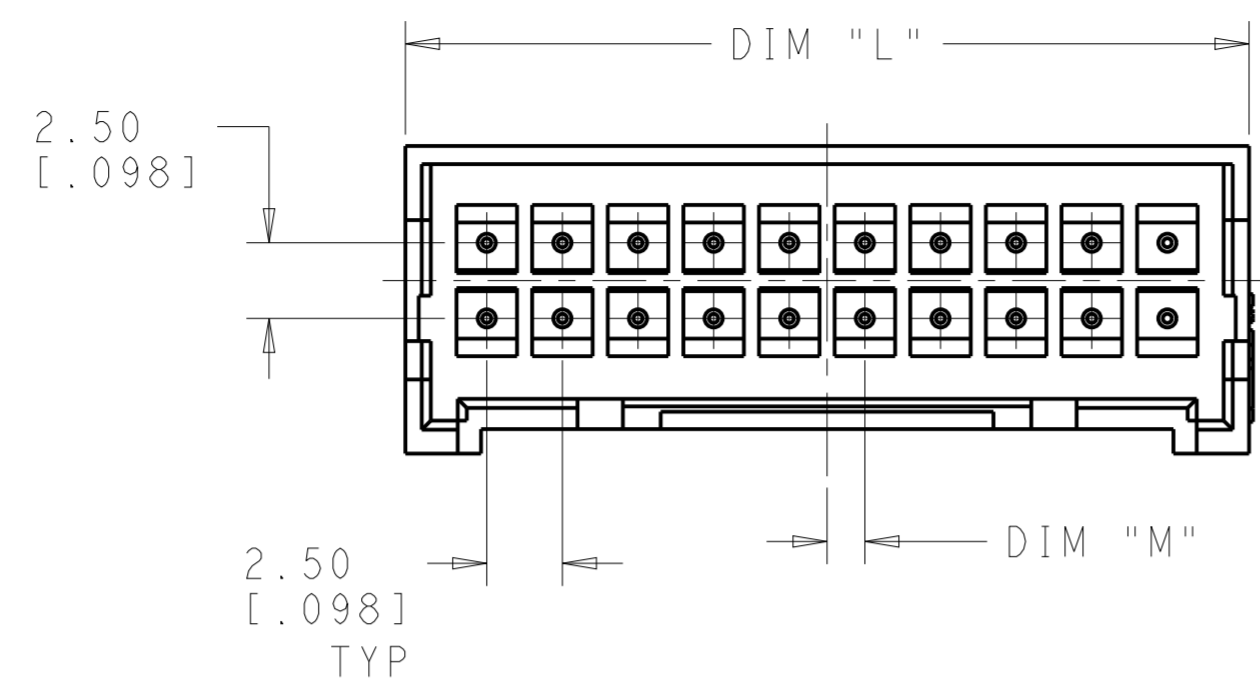


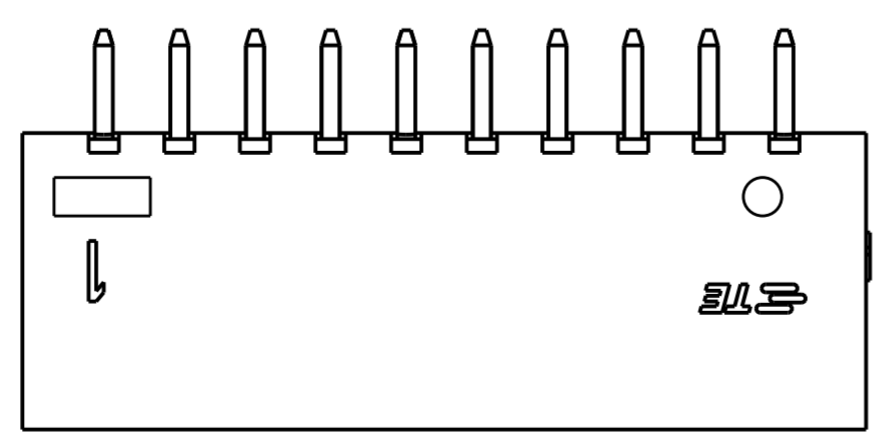
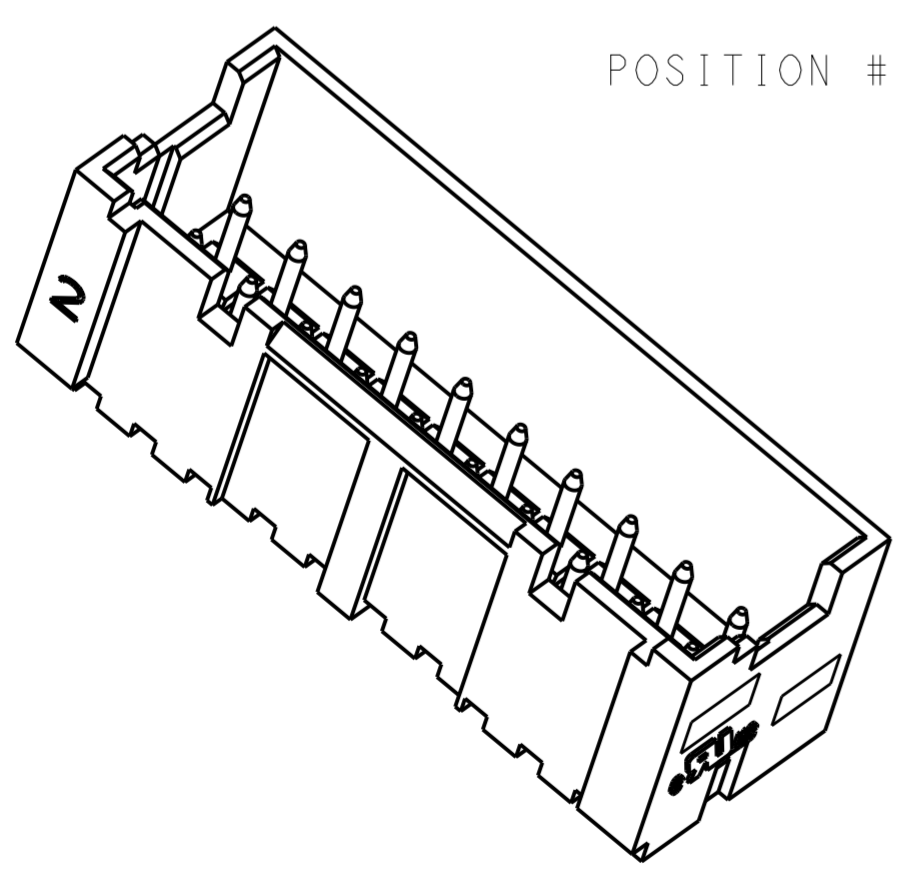
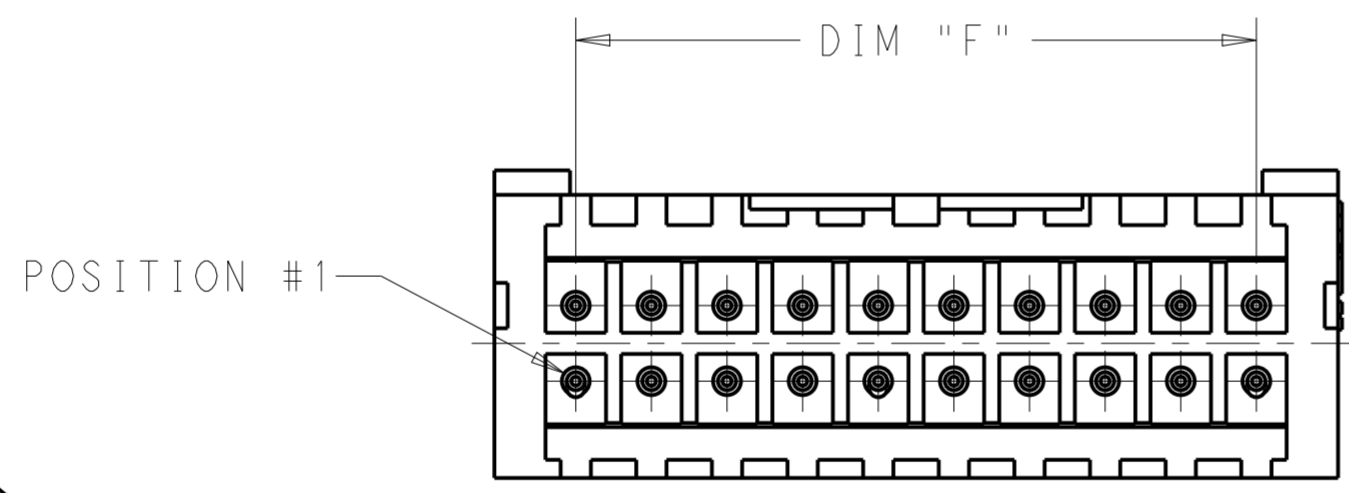
THIS DRAWING IS UNPUBLISHED. RELEASED FOR PUBLICATION 20
 © COPYRIGHT 20 BY - ALL RIGHTS RESERVED.

| REVISIONS | | | | | |
|-----------|-----|-----------------------|---------|-----|------|
| P | LTR | DESCRIPTION | DATE | DWN | APVD |
| A | | REV PER ECO-14-007569 | 22MAY14 | JR | KR |



PIN, BRASS WITH TIN PLATING OVER NICKEL

0.60±0.05
[.024±.001]
TYP



| | | | | | |
|-------------|-----------------------|---------------|---------------|------------------|-------------|
| 1.25 [.049] | 2 | 47.50 [1.870] | 52.89 [2.083] | 40 | 4-1969582-0 |
| 0.00 | 2 | 45.00 [1.772] | 50.39 [1.985] | 38 | 3-1969582-8 |
| 1.25 [.049] | 2 | 42.50 [1.673] | 47.89 [1.886] | 36 | 3-1969582-6 |
| 0.00 | 2 | 40.00 [1.575] | 45.39 [1.788] | 34 | 3-1969582-4 |
| 1.25 [.049] | 2 | 37.50 [1.477] | 42.89 [1.689] | 32 | 3-1969582-2 |
| 0.00 | 2 | 35.00 [1.378] | 40.39 [1.591] | 30 | 3-1969582-0 |
| 1.25 [.049] | 2 | 32.50 [1.280] | 37.89 [1.492] | 28 | 2-1969582-8 |
| 0.00 | 2 | 30.00 [1.181] | 35.39 [1.394] | 26 | 2-1969582-6 |
| 1.25 [.049] | 2 | 27.50 [1.083] | 32.89 [1.295] | 24 | 2-1969582-4 |
| 0.00 | 2 | 25.00 [.984] | 30.39 [1.197] | 22 | 2-1969582-2 |
| 1.25 [.049] | 2 | 22.50 [.886] | 27.89 [1.098] | 20 | 2-1969582-0 |
| 0.00 | 2 | 20.00 [.787] | 25.39 [1.000] | 18 | 1-1969582-8 |
| 1.25 [.049] | 1 | 17.50 [.689] | 22.89 [.901] | 16 | 1-1969582-6 |
| 0.00 | 1 | 15.00 [.590] | 20.39 [.803] | 14 | 1-1969582-4 |
| 1.25 [.049] | 1 | 12.50 [.492] | 17.89 [.704] | 12 | 1-1969582-2 |
| 0.00 | 1 | 10.00 [.394] | 15.39 [.606] | 10 | 1-1969582-0 |
| 1.25 [.049] | 1 | 7.50 [.295] | 12.89 [.507] | 8 | 1969582-8 |
| DIM "M" | NO. OF LATCH CUT-OUTS | DIM "F" | DIM "L" | NO. OF POSITIONS | PART NO. |

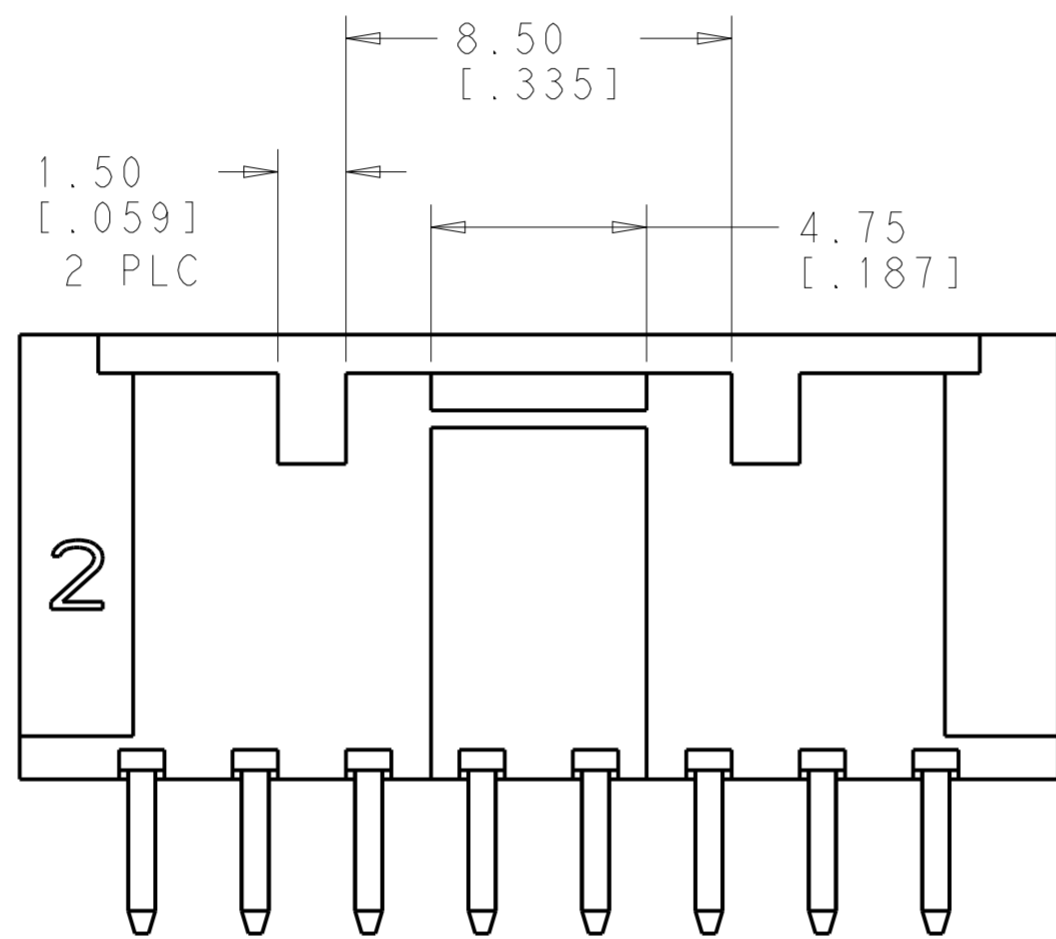
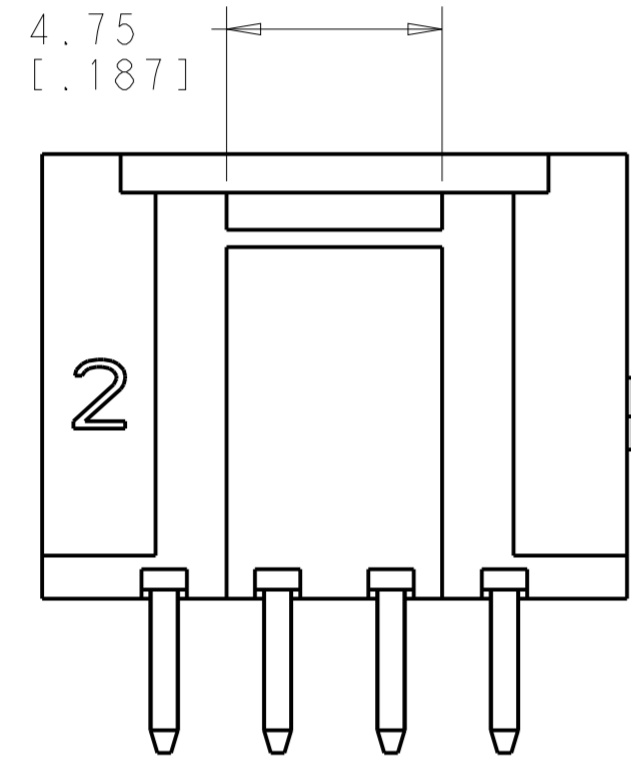
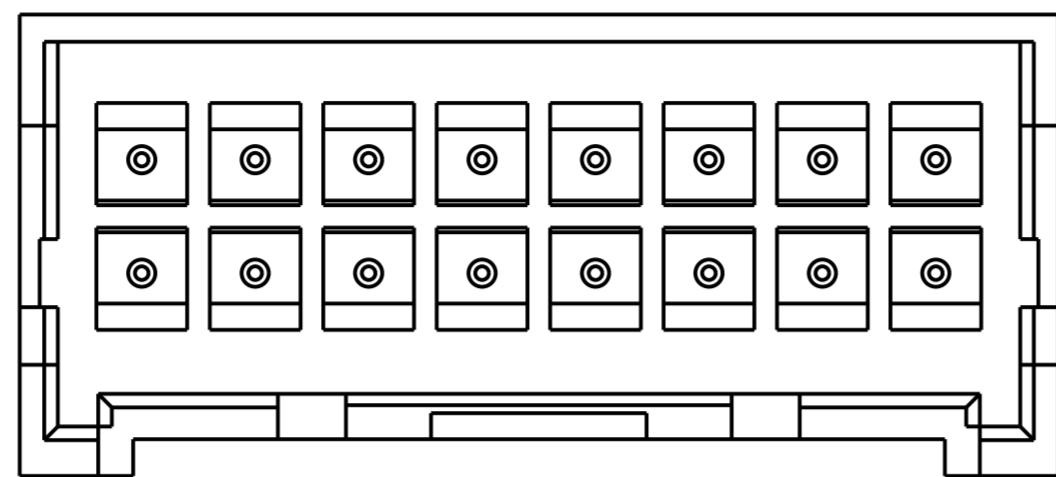
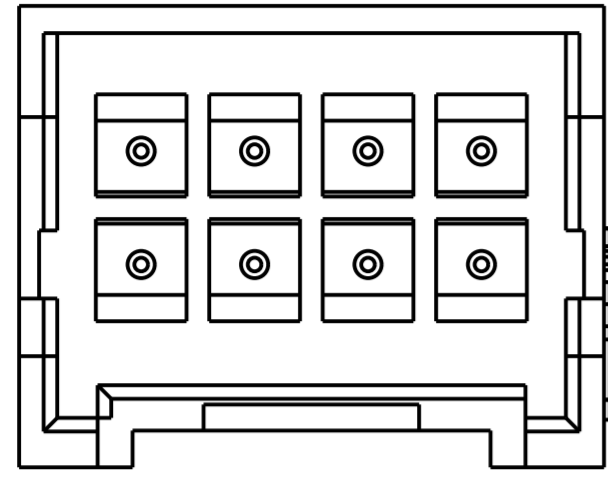
THIS DRAWING IS A CONTROLLED DOCUMENT.

| | | | |
|---------------------------|--|---|---|
| DIMENSIONS: mm[INCHES] | TOLERANCES UNLESS OTHERWISE SPECIFIED: 0 PLC ± 1 PLC ± 2 PLC ±0.25 [.010] 3 PLC ± 4 PLC ± ANGLES ± FINISH ± | DWN JR RUTH 06NOV12 CHK KURT RANDOLPH 06NOV12 APVD SAM MACE 06NOV12 | TE Connectivity NAME ASSEMBLY, PIN HEADER, EP 2.5, DUAL ROW PRODUCT SPEC 108-2418 APPLICATION SPEC 114-13315 |
| MATERIAL SEE NOTES | SEE NOTES | SIZE A2 CAGE CODE 00779 DRAWING NO C-1969582 RESTRICTED TO - SCALE 4:1 SHEET 1 OF 2 REV A | |

Customer Drawing

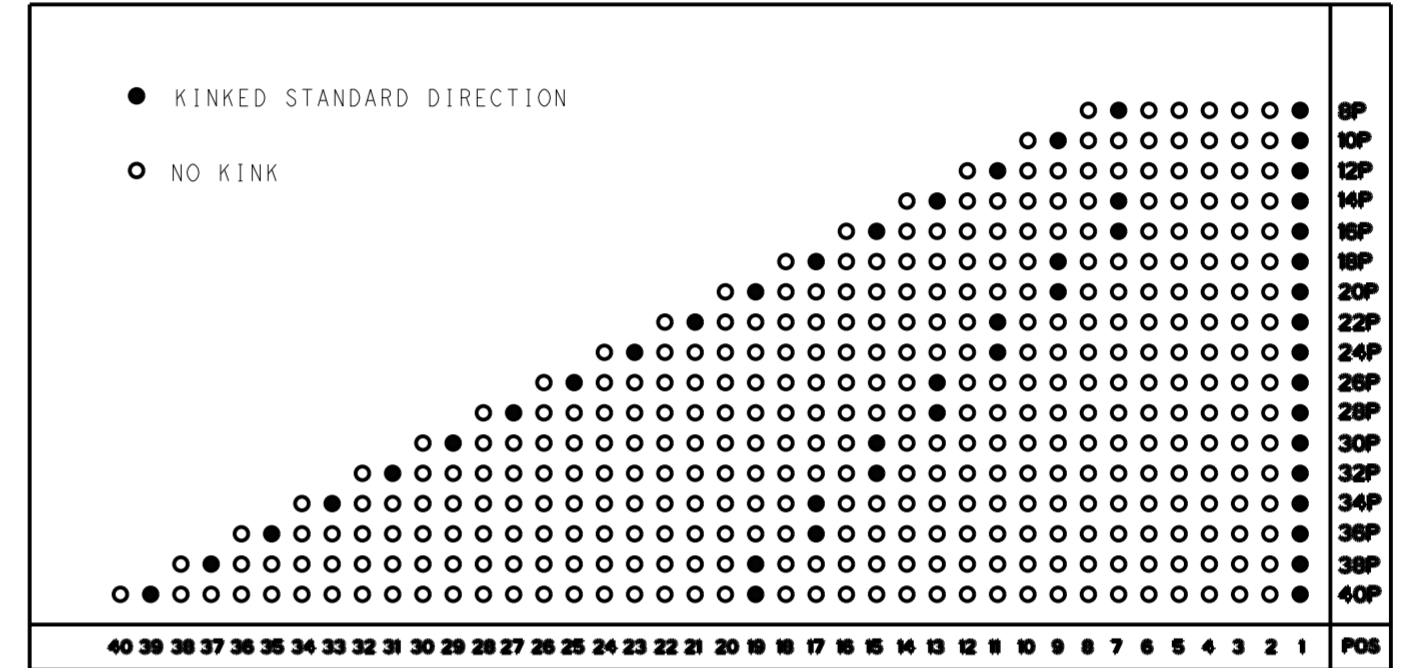
THIS DRAWING IS UNPUBLISHED. RELEASED FOR PUBLICATION 20
 © COPYRIGHT 20 BY - ALL RIGHTS RESERVED.

| LOC | DIST | REVISIONS | | | |
|-----|------|-------------|-------------|-----|------|
| P | LTR | DESCRIPTION | DATE | DWN | APVD |
| AF | 50 | - | SEE SHEET 1 | - | - |
| | | | | | |
| | | | | | |

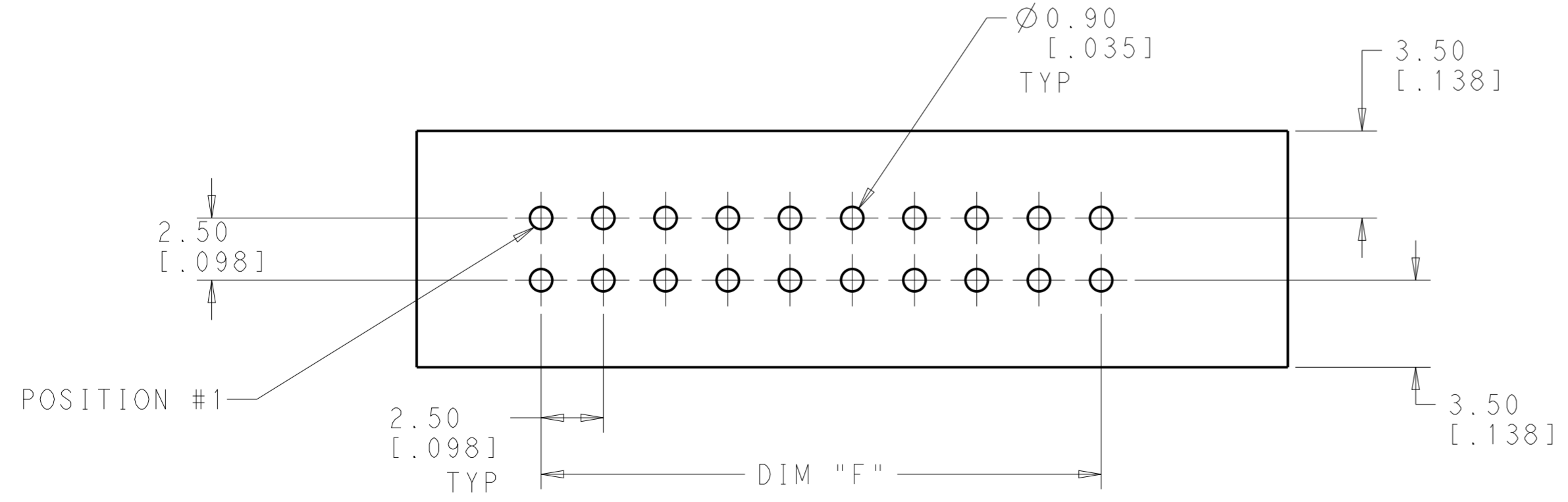


SINGLE LATCH DETAIL
 1969582-8 SHOWN HERE
 THESE DIM'S ARE FOR THE
 1969582-8 AND 1-1969582-0

SINGLE LATCH DETAIL
 1-1969582-6 SHOWN ON HERE
 THESE DIM'S ARE FOR THE
 1-1969582-2 THRU -16



KINKED PIN CHART



RECOMMENDED PCB LAYOUT

| | | | | |
|--|--|-------------------------------|---|--|
| THIS DRAWING IS A CONTROLLED DOCUMENT. | | DWN JR RUTH 06NOV12 | TE Connectivity | |
| DIMENSIONS: mm[INCHES] | | CHK KURT RANDOLPH 06NOV12 | | |
| TOLERANCES UNLESS OTHERWISE SPECIFIED: | | APVD SAM MACE 06NOV12 | NAME ASSEMBLY, PIN HEADER, EP 2.5, DUAL ROW | |
| 0 PLC ± 1 PLC ± 2 PLC ±0.25 [.010] 3 PLC ± 4 PLC ± ANGLES ± FINISH ± | | PRODUCT SPEC 108-2418 | SIZE A200779 | |
| MATERIAL SEE NOTES | | APPLICATION SPEC 114-13315 | DRAWING NO C-1969582 | |
| SEE NOTES | | WEIGHT - | RESTRICTED TO - | |
| | | Customer Drawing | SCALE 4:1 SHEET 2 OF 2 REV A | |